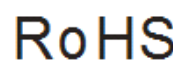
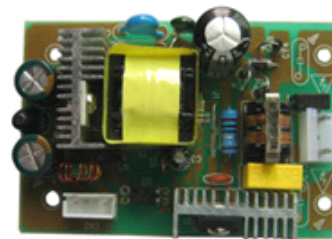


- ★ High efficiency power
- ★ Meets "ENERGY STAR" Program Requirements
- ★ Over voltage & Over load & short circuit protection
- ★ 100% full load burn-in test
- ★ High reliability/Low cost
- ★ 2 year warranty



### Specification:

INPUT	Voltage Range	90~264VAC      127~370VDC						
	Frequency	47~63Hz						
	AC Current(Typ.)	<0.75A@100V AC input, full load condition						
	Inrush Current(Typ.)	<40A@115V , <60A@230V AC input.Cold start at 25°C ambient						
	Leakage Current	<0.5mA@ 264V AC input						
PROTECTION	Over Voltage	3.8V~4.6V	5.8V~7.0V	13.8V~16.8V	20.7V~25.2V	27.6V~33.6V	41.4V~50.4V	55.2V~67.2V
		Shutdown and latch off, recover after re-start up						
	Over Load & Short Circuit	When power supply over 105~150% max load or short circuit acted,powr supply will be shutdown and recover automatically after the fault is removed						
	Over Temperature	Over 95°C,the power supply will shutdown.						
ENIRONMENT	Temperature	Operating:-10~70°C;De-rating:45~70°C:2.5%/°C;Storage:-40~+85°C						
	Humidity	Operating: 20%~90% RH(non condensing);Storage:10%~95% RH(non condensing)						
SAFETY	Withstand voltage	I/P-O/P:3KVAC,I/P-PE:1.5KVAC,O/P-PE:0.5KVAC,1 minute						
	Isolation resistance	I/P-O/P,I/P-FG,O/P-FG>100MΩ/500VDC at 25°C/70% RH						
	Safety standard	UL 60950-1 2 <sup>nd</sup> ,CSA C22.2 No.60950-1-07 2 <sup>nd</sup> ,TU EN 60950-1:2006, IEC 60950-1:25005,standard						
EMC	EMI	EN 55022 CLASS B、FCC CFR 47 PART 15 CLASS B、CNS 13438 CLASS B						
		Compliance to EN61000-3-2 CLASS D,EN61000-3-3						
	EMS	EN55024:EN61000-4-2,3,4,5,6,8,11						
OTHERS	Cooling	Natural Cooling						
	M.T.B.F.	50K hours						
	Dimension	<b>80.5x54.2x20mm</b> ( L*W*H )						
	Packing	N.W.:76.5g/1pc; 15pcs/1.15Kg CUFT/1 CTN						

Http: //www.powwt.com

Email: johnson@powwt.com

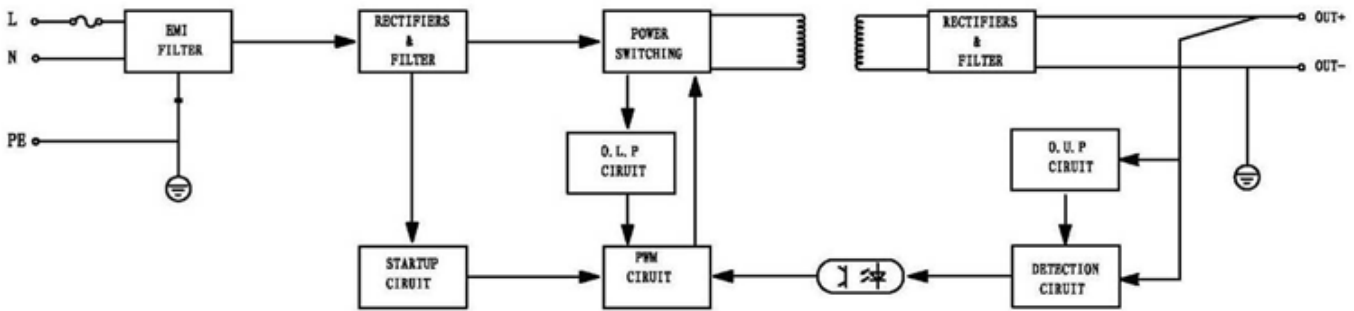
Factory address: JinQiao Industrial Park,XieKeng Village,QingXi Town, DongGuan City,GuangDong Province, China

Hong Kong Office: NO.304 3/F Man Tai Hse Tsz Man Est Tsz Wan Shan Kowloon, Hongkong

**Output voltage & current ratings (single output):**

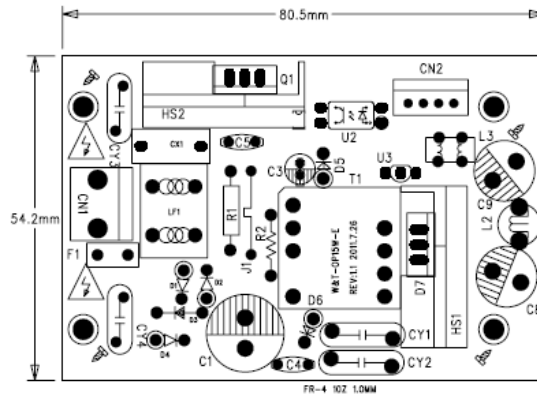
SINGLE OUTPUT	PART NO.	OP-15WE03	OP-15WE05	OP-15WE12	OP-15WE18	OP-15WE24	OP-15WE36	OP-15WE48
	Voltage	3.3V	5.0V	12V	18V	24V	36V	48V
	Current Range	0-3A	0-3A	0-1.25A	0-0.83A	0-0.625A	0-0.41A	0-0.31A
	Voltage Tolerance	±4%	±4%	±4%	±4%	±4%	±4%	±4%
	Ripple&Noise(MAX)	50mV	50mV	120mV	180mV	240mV	300mV	300mV
	Efficiency(MIN)	≥75%	≥75%	≥75%	≥75%	≥75%	≥75%	≥75%
	Output Power.MAX	9.9W	15 W	15W	15W	15W	15W	15W

**Block Diagram:**

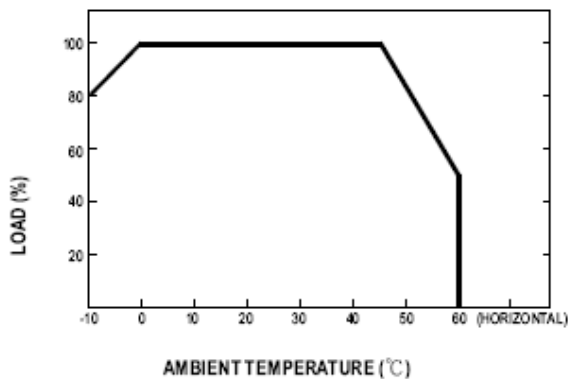


**Dimension:**

(Unit:mm)



**Derating Curve**



**Static Characteristics**

