



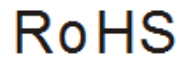
W&T ELECTRONICS CO., LTD

www.powwt.com

AD05W-J SERIES

AC/DC Single Output:1~6 Watts

- ★ High efficiency power
- ★ Meets "ENERGY STAR" Program Requirements
- ★ Over voltage protection
- ★ Over load & short circuit protection
- ★ 100% full load burn-in test



Specification:

INPUT	Voltage	86-265VAC universal full range								
	Frequency	47-63Hz								
	Current	<0.5A@100V AC input, full load condition								
	Inrush Current	<40A@115V , <60A@230V AC input.Cold start at 25°C ambient								
	Leakage Current	<0.5A@ 264V AC input								
OUTPUT	PART NO.	AD05WJ03	AD05WJ05	AD05WJ07	AD05WJ09	AD05WJ12	AD05WJ15	AD05WJ18	AD05WJ24	
	Voltage	3V	5V	7V	9V	12V	15V	18V	24V	
	Max Load	0-1.2A	0-1.2A	0-0.8A	0-0.55A	0-0.5A	0-0.4A	0-0.3A	0-0.25A	
	Range Voltage	3-4.5V	4.5-6V	6-8V	8-11V	11-13.5V	13.5-17V	17-22V	22-26V	
	Ripple Noise(MAX)	50mV	50mV	70mV	90mV	120mV	150mV	180mV	240mV	
	Efficiency(MIN)	≥75%	≥75%	≥75%	≥75%	≥75%	≥75%	≥75%	≥75%	
	Output MAX	6W	6W	6W	6W	6W	6W	6W	6W	
PROTECTION	Over Voltage	3.8~5.8V	5.8~7.8V	7.8~9.8V	9.8~12.8V	12.8~15.8V	15.8~18.8V	18.8~24.8V	24.8~29.8V	
		Shutdown and latch off, recover after re-start up								
	Over Load & Short Circuit	When power supply over 105%~150 max load or short circuit acted,powr supply will be shutdown and recover automatically after the fault is removed								
	Over Temperature	Over 95°C,the power supply will shutdown.								
ENIRONMENT	Temperature	Operating:-20~70°C;De-rating:45~70°C:2.5%/°C;Storage:-40~+85°C								
	Humidity	Operating: 20%~90% RH(non condensing);Storage:10%~95% RH(non condensing)								
SAFETY	Withstand voltage	I/P-O/P:3KVAC,I/P-PE:1.5KVAC,O/P-PE:0.5KVAC,1 minute								
	Isolation resistance	I/P-O/P,I/P-FG,O/P-FG>100MΩ/500VDC at 25°C/70% RH								
	Safety standard	UL 60950-1 2 nd ,CSA C22.2 No.60950-1-07 2 nd ,TU EN 60950-1:2006, IEC 60950-1:25005,standard								
EMC	EMI	EN 55022 CLASS B、FCC CFR 47 PART 15 CLASS B、CNS 13438 CLASS B								
		Compliance to EN61000-3-2 CLASS D,EN61000-3-3								
	EMS	EN55024:EN61000-4-2,3,4,5,6,8,11								
OTHERS	Cooling	Natural Cooling								
	M.T.B.F.	50K hours								
	Dimension	53.5x35x32.5mm (L*W*H)								
	Packing	N.W.:80g/1pc; Box Size:510*470*200mm 200pcs/box								

Http: //www.powwt.com

Email: johnson@powwt.com

Factory address: No.6,Jin Yu Second Street,Xie Keng Village,QingXi Town,DongGuan City,GuangDong Province,China.

Hong Kong Office: 2/F.,Tung Lee Commercial Building,91-97 Jervois Street, HongKong



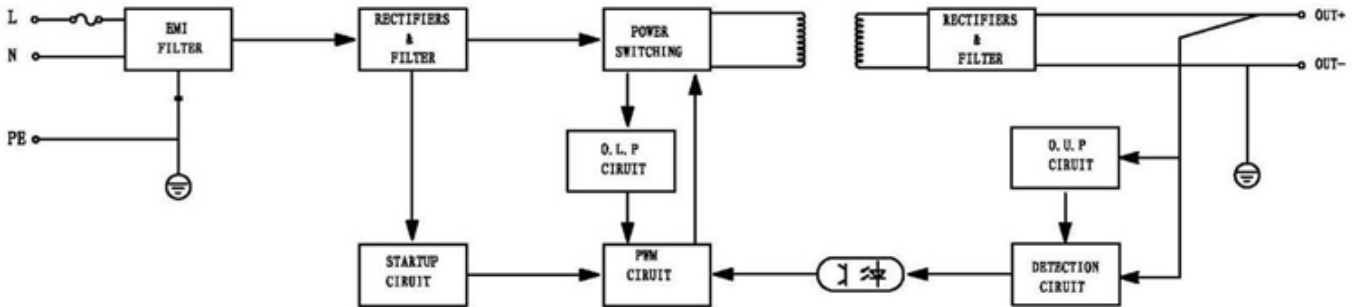
W&T ELECTRONICS CO., LTD

www.powwt.com

AD05W-J SERIES

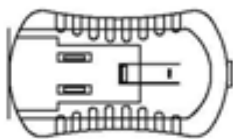
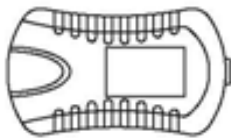
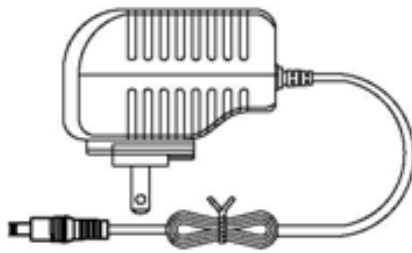
AC/DC Single Output:1~6Watts

Block Diagram:

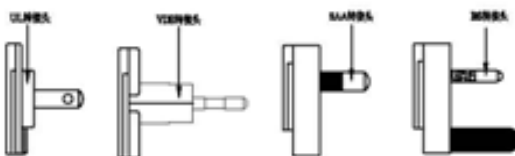


Title: CH05W-C series case
Part NO.: K-005

Output plug options:



L*W*H= (53.5*35*32.5mm)



2.1*5.5	2.5*5.5	3.0*6.5	0.7*2.5
1.7*4.75	6.0*8	3.0*6.3	1.35*3.4
3.0*5.5	3.0*7	1.7*3.8	1.35*3.8
2PIN PLUG	3PIN WITH GUIDE	3PIN PLUG	2 PIN
3PIN	6PIN PLUG	LARGE 4PIN	USB2.0
USB	MINI 5 PIN USB	CLIP	MINI 30 PIN USB
ONE TO TWO PLUGS	ONE TO SEVEN PLUGS	CIGAR CODE	OTHER

Http: //www.powwt.com

Email: johnson@powwt.com

Factory address: No.6,Jin Yu Second Street,Xie Keng Village,QingXi Town,DongGuan City,GuangDong Province,China.

Hong Kong Office: 2/F.,Tung Lee Commercial Building,91-97 Jervois Street, HongKong